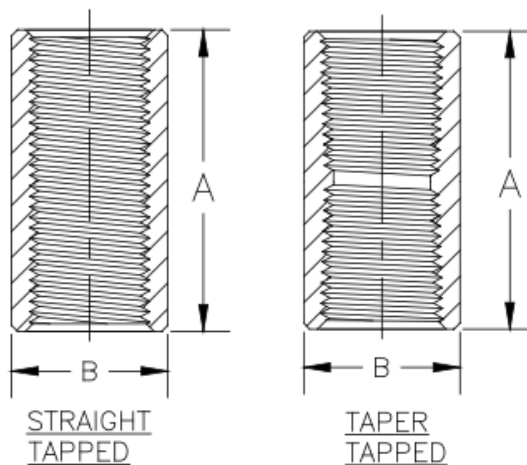


STANDARD MERCHANT STEEL COUPLINGS

Merchant Steel Full & Half Couplings Product Specifications

Standard Merchant Couplings

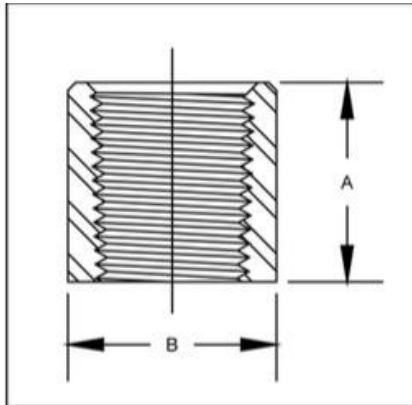


Pipe Size	1/8	1/4	3/8	1/2	3/4	1	1-1/4	1-1/2	2	2-1/2	3	3-1/2
A	0.812	1.188	1.188	1.562	1.625	2.000	2.062	2.062	2.125	3.125	3.250	3.375
B	0.562	0.719	0.875	1.062	1.312	1.576	1.900	2.200	2.750	3.250	4.000	4.625

Merchant Steel Couplings Conforms to: ASTM A865, ASME B1.20.1

Notes: 1/8" – 2" Straight Tapped(NPS), 2.5" – 6" Taper Tapped(NPT).
 Merchant Couplings in 2" size are available Taper Tapped as special.
 Galvanized couplings are electroplated zinc, or Hot dipped zinc
 Black Couplings are phosphate coated, or Sandblasted

Standard Merchant Half Couplings



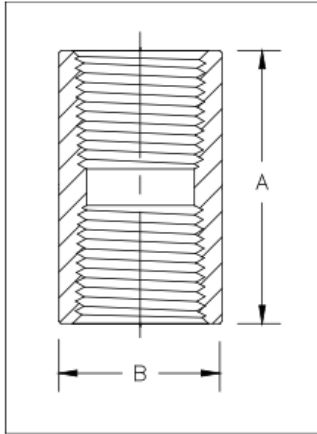
Pipe Size	1/8	1/4	3/8	1/2	3/4	1	1-1/4	1-1/2	2	2-1/2	3	3-1/2
A	0.344	0.531	0.531	0.719	0.750	0.937	0.969	0.969	1.000	1.500	1.562	1.625
B	0.562	0.719	0.875	1.062	1.312	1.576	1.900	2.200	2.750	3.250	4.000	4.625

Merchant Steel Half Couplings Conforms to: ASTM A865, ASME B1.20.1

Notes: 1/8" - 1" Taper Tapped(NPT), 1-1/4- 2" Straight Tapped(NPS), 2.5" - 6" Taper Tapped(NPT).
 Merchant Couplings in 2" size are available Taper Tapped as special.
 Galvanized couplings are electroplated zinc, or Hot dipped zinc
 Black Couplings are phosphate coated, or Sandblasted

EXTRA HEAVY STEEL COUPLINGS

EXTRA HEAVY STEEL COUPLINGS NON-RECESSED(STANDARD CHAMFER)

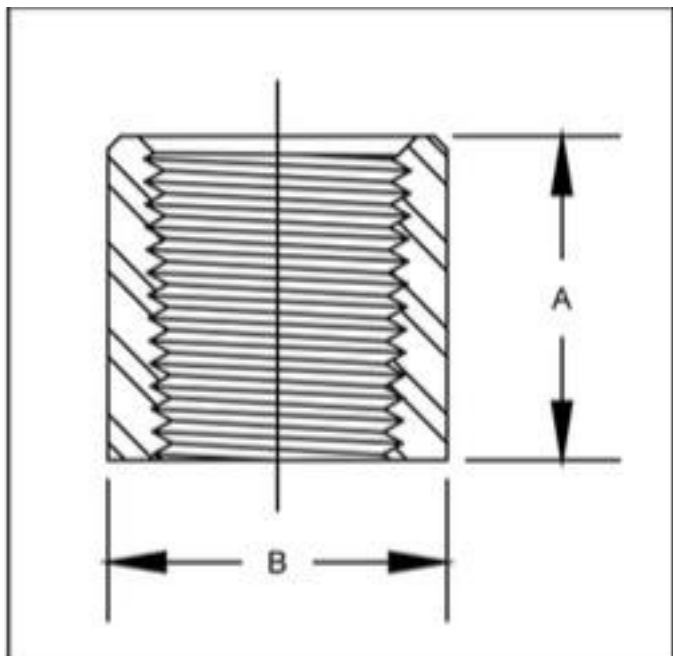


Pipe Size	1/8	1/4	3/8	1/2	3/4	1	1-1/4	1-1/2	2	2-1/2	3	3-1/4
A	1.062	1.625	1.625	2.125	2.125	2.625	2.750	2.750	2.875	4.125	4.250	4.375
B	0.562	0.719	0.875	1.062	1.612	1.576	2.054	2.200	2.875	3.375	4.000	4.625

Conforms to: ASTM A865, ASME B1.20.1

Finish: Black and Galvanized

EXTRA HEAVY HALF STEEL COUPLINGS

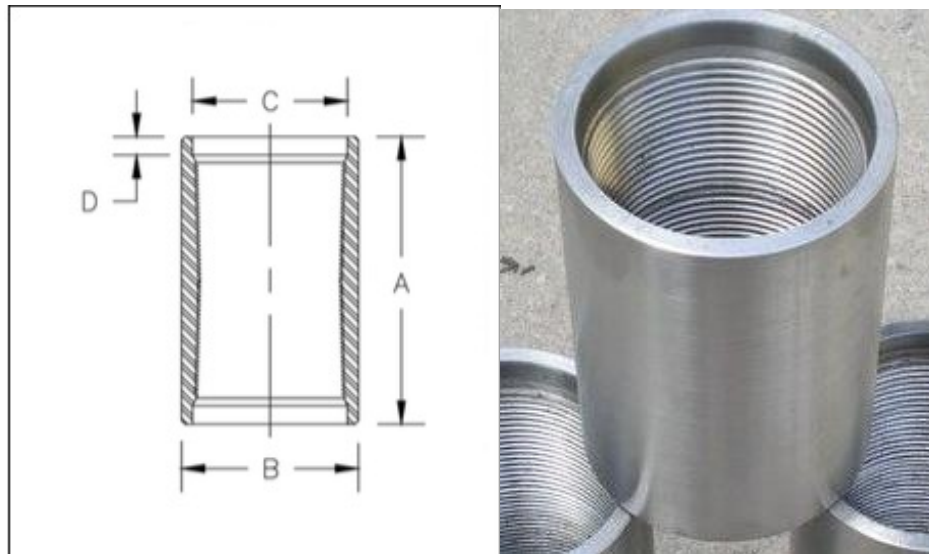


Pipe Size	1/8	1/4	3/8	1/2	3/4	1	1-1/4	1-1/2	2	2-1/2	3	3-1/2
A	0.468	0.750	0.750	1.000	1.000	1.250	1.312	1.312	1.375	2.000	2.062	2.125
B	0.562	0.719	0.875	1.062	1.612	1.576	2.054	2.200	2.875	3.375	4.000	4.625

Conforms to: ASTM A865, ASME B1.20.1

Finish: Black and Galvanized

API LINE PIPE COUPLINGS



Pipe Size	1/8	1/4	3/8	1/2	3/4	1	1-1/4	1-1/2	2	2-1/2	3	3-1/2	4	5	6
A	1.062	1.625	1.625	2.125	2.125	2.625	2.750	2.750	2.875	4.125	4.250	4.375	4.500	4.625	4.875
B	0.563	0.719	0.875	1.062	1.612	1.576	2.054	2.200	2.875	3.375	4.000	4.625	5.200	6.296	7.391
C	0.468	0.603	0.738	0.903	1.113	1.378	1.723	1.963	2.469	2.969	3.594	4.094	4.594	5.567	6.711
D	0.052	0.120	0.115	0.158	1.152	0.224	0.228	0.244	0.238	0.492	0.471	0.466	0.492	0.505	0.581

Material: API 5L Section 8
Dimensions: API 5L, API 5B